

GENERAL DATA

MAX. FLOW: GPM (L/min)	21 GPM (79 L/min)
MAX. HEAD: ft (m)	19.6' (5.9 m)
PUMP TYPE	TOP DISCHARGE, DEWATERING
STRAINER OPENING	0.125" (3.1 mm)
PUMP DOWN WATER LEVEL: in (mm)	0.75" (19 mm)
IMPELLER DIAMETER: in (mm)	2.95" (75 mm)
DISCHARGE SIZE	¾" GARDEN HOSE ADAPTER
PUMP NET WEIGHT ¹ : lbs (kg)	9 lbs (4.1 kg)
SHIPPING WEIGHT: lbs (kg)	13 lbs (5.9 kg)

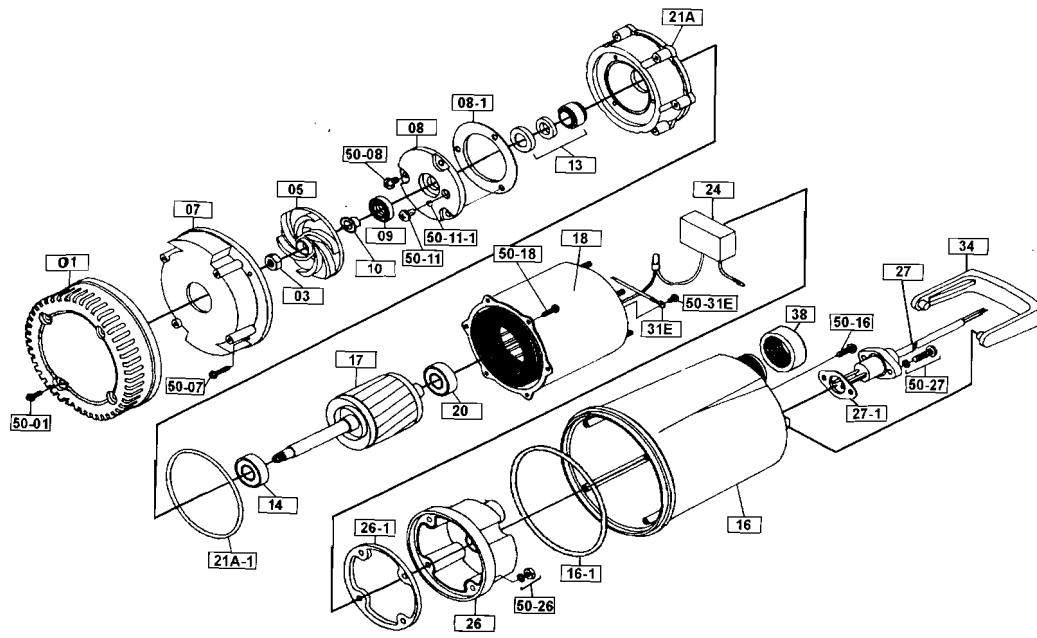
1- Does not include power cord.

CONSTRUCTION/MATERIAL DATA

MECHANICAL SEAL - UPPER	NONE
MECHANICAL SEAL - LOWER	SILICON CARBIDE/SILICON CARBIDE
OUTER CASING	ABS PLASTIC
MOTOR CASING	304 SS
PUMP VOLUTE	ABS PLASTIC
IMPELLER- MULTI VANE	FIBERGLASS REINFORCED PLASTIC
STRAINER	ABS PLASTIC
BOTTOM PLATE	NONE
LIPSEAL & O-RINGS	BUNA-N
ROTOR SHAFT	304 SS
EXTERNAL HARDWARE	304 SS
QTY. OIL IN SEAL CHAMBER / STATOR	9.5 U.S. FL. OZ. (280 C.C.)
BALL BEARING: PERM. LUBE. UPPER	6200
BALL BEARING: PERM. LUBE. LOWER	6201

ELECTRICAL /MOTOR DATA

MOTOR: TYPE, RATING HP	SUBMERSIBLE, 0.15
MOTOR RPM	3450
MOTOR INSULATION CLASS	F
MOTOR SERVICE FACTOR	1.0
VOLTAGE ²	115, 1 PH, 60 Hz
CURRENT F.L.A.	2
LOCKED ROTOR CURRENT (LRA)	5.6
MOTOR PROTECTION	THERMAL BREAKER
POWER CORD: GAGE; LENGTH	A.W.G. 16/3; 33' (10 m)
MAXIMUM LIQUID TEMPERATURE	104°F (40°C)
MAXIMUM STATOR TEMPERATURE	230°F (110°C)



Pos. No.	Part Description	Part #
01	Strainer	108
D01	Bottom Plate w/ Rubber	-
D01-1	Strainer - solid, R400D only	-
01-2	Bottom Plate	-
D01-2,3,4,5	Non-Return Valve Assembly	-
03	Impeller Nut	301
04	Lock Washer	-
05	Impeller Cast Iron	-
05	Impeller: Nylon / PVC	502
06	Impeller Key	-
07	Pump Housing/Suction Cover	700
07-1	O-Ring (Kit Only)	Kit
08	Oil Chamber Cover	800
08-1	O-Ring (Kit Only)	Kit
09	Lip Seal Perbuna	900
09	Lip Seal Viton	901
09	Lip Seal EPDM	901E
10	Shaft Sleeve	1001
13	Mechanical Seal	1363
14	Lower Ball Bearing	1400
16	Pump Casing Outer	1600
16-1	O-Ring (Kit Only)	Kit
17	Rotor w/ Shaft 115, 1PH	N/A
17	Rotor w/ Shaft 230, 1PH	-
17	Rotor w/ Shaft 230,460, 3PH	-
18	Stator Coil w/ Casing 115, 1PH	N/A
18	Stator Coil w/ Casing 230, 1PH	-
18	Stator w/ Casing 230/460V, 3PH	-
19	Governor Switch w/Switch Plate	-
20	Upper Ball Bearing	2000
21A	Oil Chamber	715
21A-1	O-Ring (Kit Only)	Kit
21B	Motor Cover (Upper)	-
23	Overload 115V, 1PH	-
23	Overload 230V, 1PH	-
23	Overload 230V, 3PH	-
23	Overload 460V, 3PH	-
24	Capacitor 115	2400
24	Capacitor 230	-
26	Pump Top Cover	2629
26-1	O-Ring (Kit Only)	Kit
27	Power Cable w/ Gland	2708
27-1	O-Ring (Kit Only)	Kit
27-2	O-Ring (Kit Only)	-
31E	Ground Wire w/Ring Term.	2776
32	Power Cord Line Clip	-
34	Handle	3401
35	Rod Bolts	-
38	Disch. Nipple NPT Plastic 1-1/4"	3850
38	Disch. Nipple NPT Plastic 1-1/2"	-
38	Disch. Nipple NPT Steel 2"	-
38F	Discharge Flange Kit 1-1/2"	-
38F	Discharge Flange Kit 2"	-
50-01	Screw for Strainer	4202
50-01-2	Screw for Bottom Plate	-
50-01-3	Stud with Nuts (R400D)	-
50-07	Screw for Suction Cover	5019
50-08	Screw for Oil Chamber Cover	5017
50-11	Screw for Oil Fill	5008
50-11-1	O-Ring (Kit Only)	Kit
50-16	Screw for Outer Casing	5018
50-18	Screw for Stator	5044
50-19	Screw for Gov. Switch Plate	-
50-23	Screw for Overload	-
50-26	Nut and Washer for Top Cover	5029
50-27	Screw for Power Cord	5017
50-31E	Screw for Ground Wire	5000
50-32	Screw for Line Clip	-
50-34	Screw for Handle	-
50-38N	Acorn Nut for Flange	-
50-38W	Washer for Flange	-
	O-Ring Kit - Buna N	4008
	O-Ring Kit - Viton	-